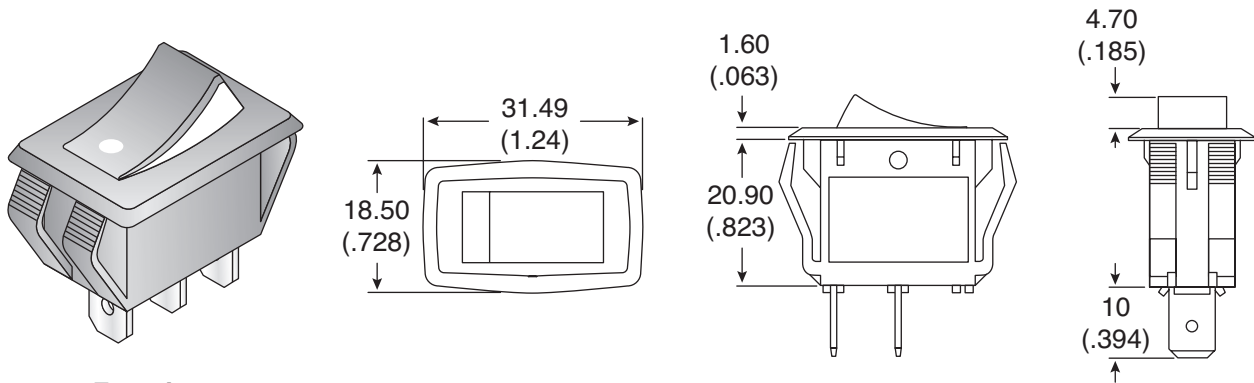
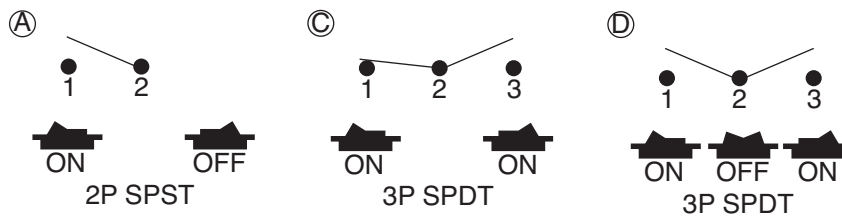


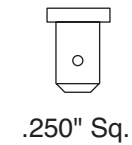
Dimensions: mm (In.)



Function



Terminal



Rocker



Electrical Specifications:

- Rating: 16A/125VAC; 10A/250VAC
- Contact resistance: 50mΩ max.
- Insulation resistance: 500VDC 100MΩ min.
- Dielectric strength: 1500VAC for 1 min.

Note:

- RoHS Compliant

| Cut-out | | |
|-----------|----------|----------|
| | X | Y |
| | | |
| | X | Y |
| 0.75~1.25 | 27.6-0.1 | 13.8+0.1 |
| 1.25~2 | 27.8-0.1 | 13.8+0.1 |
| 2~3 | 28.0-0.1 | 13.8+0.1 |

| Mouser Stock No. | Button | Function | Rocker |
|---------------------|---------------------|----------|--------|
| 103-R13-205A3-01-EV | Black | A | 3 |
| 103-R13-205A2-01-EV | Black/Red Indicator | A | 2 |
| 103-R13-205C3-01-EV | Black | C | 3 |
| 103-R13-205D3-01-EV | Black | D | 3 |

Rocker Switches

103-R13-205A3-01-EV, 103-R13-205A2-01-EV,
103-R13-205C3-01-EV, 103-R13-205D3-01-EV

